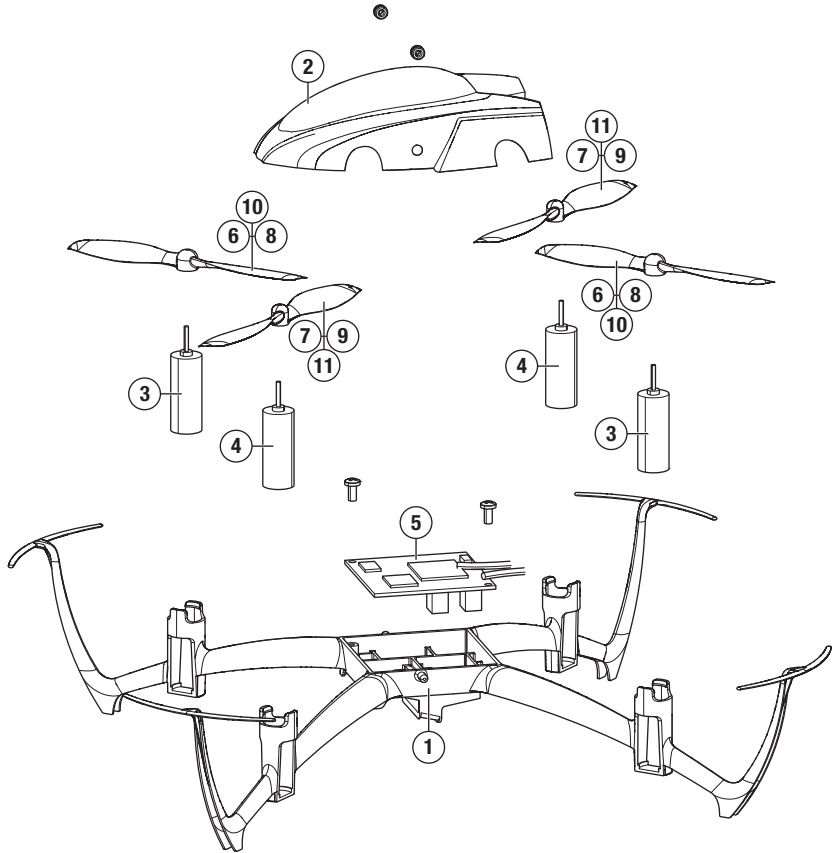


# Explosionszeichnung



## Teilleiste

Teil #	Beschreibung
	BLH7600 Nano QX RTF
	BLH7600M1 Nano QX RTF Mode 1
	BLH7680 Nano QX BnF
1	BLH7639 Hauptrahmen nano QX
2	BLH7614 Grüne Kabinenhaube nano QX
2	BLH7614A Gelbe Kabinenhaube nano QX
3	BLH7603 Motor, rechtsdrehend nano QX
4	BLH7604 Motor, linksdrehend nano QX
5	BLH7601 4 in 1 Elektronik nano QX
6	BLH7620 Luftschraube rechtsdrehend schwarz nano QX
7	BLH7621 Luftschraube linksdrehend, schwarz, nano QX

Teil #	Beschreibung
8	BLH7620G Luftschraube rechtsdrehend, grün, nano QX
9	BLH7621G Luftschraube linksdrehend, grün, nano QX
10	BLH7620Y Luftschraube rechtsdrehend, gelb, nano QX
11	BLH7621Y Luftschraube linksdrehend, gelb, nano QX
	EFLC1008 USB Li-Po Ladegerät für 1S 350mAh
	EFLB1501S25 150mAh 1S 3.7V 25C Li-Po Akku
	EFLH1064/B MLP4DSM 4 Kanal Sender 2.4GHz Mode 2
	EFLH10641 MLP4DSM 4 Kanal Sender 2.4GHz Mode 1

## Optionsteile

Teil #	Beschreibung
EFLC1006	Celectra 1S 3.7V 12V Ladegerät mit variablem Ladestrom
	DX5e DSMX 5 Kanal Sender
	DX6i DSMX 6 Kanal Sender

Teil #	Beschreibung
	DX7S 7 Kanal Sender
	DX8 DSMX 8 Kanal Sender
	DX18 DSMX 18 Kanalsender

## Liste des pièces détachées

Part #	Description
	BLH7600 Nano QX RTF
	BLH7600M1 Nano QX RTF Mode 1
	BLH7680 Nano QX BNF
1	BLH7639 Chassis: nano QX
2	BLH7614 Bulle verte: nano QX
2	BLH7614A Bulle jaune: nano QX
3	BLH7603 Moteur rotation horaire: nano QX
4	BLH7604 Moteur rotation anti-horaire: nano QX
5	BLH7601 Module de contrôle 4en 1: nano QX
6	BLH7620 Hélice noire rotation horaire (2): nano QX
7	BLH7621 Hélice noire rotation anti-horaire (2): nano QX

Part #	Description
8	BLH7620G Hélice verte rotation horaire (2): nano QX
9	BLH7621G Hélice verte rotation anti-horaire (2): nano QX
10	BLH7620Y Hélice jaune rotation horaire (2): nano QX
11	BLH7621Y Hélice jaune rotation anti-horaire (2): nano QX
	EFLC1008 Chargeur USB Li-Po 1S 350mA: nano QX
	EFLB1501S25 Batterie Li-Po 1S 3.7V 150mA 25c
	EFLH1064/B Emetteur MLP4DSM 4 voies, 2.4GHz, mode 2
	EFLH10641 Emetteur MLP4DSM 4 voies, 2.4GHz, mode 1

## Pièces optionnelles

Part #	Description
EFLC1006	Chargeur Celectra Li-Po 1S 3.7V DC à intensité de charge réglable.
	DX5e 5 voies DSMX émetteur seul
	DX6i 6 voies DSMX émetteur seul

Part #	Description
	DX7s 7 voies DSMX émetteur seul
	DX8 8 voies DSMX émetteur seul
	DX18 18 voies DSMX émetteur seul

## Elenco delle parti

Part #	Descrizione
	BLH7600 Nano QX RTF
	BLH7600M1 Nano QX RTF Mode 1
	BLH7680 Nano QX BNF
1	BLH7639 Telaio principale: nQ X
2	BLH7614 Capottina verde: nQ X
2	BLH7614A Capottina gialla: nQ X
3	BLH7603 Motor, CW Rotation: nQ X
4	BLH7604 Motor, CCW Rotation: nQ X
5	BLH7601 4-in-1 Control Unit: nQ X
6	BLH7620 Elica, CW Rotation, Blk (2): nQ X
7	BLH7621 Elica, CCW Rotation, Blk (2): nQ X

Part #	Descrizione
8	BLH7620G Elica, CW Rotation, Grn (2): nQ X
9	BLH7621G Elica, CCW Rotation, Grn (2): nQ X
10	BLH7620Y Elica, CW Rotation, Yel (2): nQ X
11	BLH7621Y Elica, CCW Rotation, Yel (2): nQ X
	EFLC1008 1S USB Li-Po Caricatore, 350mA: nQ X
	EFLB1501S25 150mAh 1-Cell 3.7V 25c LiPo
	EFLH1064/B MLP4DSM 4CH Trasmettitore, 2.4GHz Mode 2
	EFLH10641 MLP4DSM 4CH Trasmettitore, 2.4GHz Mode 1

## Componenti opzionali

Part #	Descrizione
EFLC1006	Caricatore Celecra 1S 3.7v corrente variabile DC Li-Po
	DX5e DSMX 5-canali solo trasmettitore
	DX6i DSMX 6-canali solo trasmettitore

Part #	Descrizione
	DX7s DSMX 7-canali solo trasmettitore
	DX8 DSMX 8-canali solo trasmettitore
	DX18 DSMX 18-canali solo trasmettitore

## Parts Listings

Part #	Description
	BLH7600 Nano QX RTF
	BLH7600M1 Nano QX RTF Mode 1
	BLH7680 Nano QX BNF
1	BLH7639 Main Frame: nQ X
2	BLH7614 Green Canopy: nQ X
2	BLH7614A Yellow Canopy: nQ X
3	BLH7603 Motor, CW Rotation: nQ X
4	BLH7604 Motor, CCW Rotation: nQ X
5	BLH7601 4-in-1 Control Unit: nQ X
6	BLH7620 Prop, CW Rotation, Blk (2): nQ X
7	BLH7621 Prop, CCW Rotation, Blk (2): nQ X

Part #	Description
8	BLH7620G Prop, CW Rotation, Grn (2): nQ X
9	BLH7621G Prop, CCW Rotation, Grn (2): nQ X
10	BLH7620Y Prop, CW Rotation, Yel (2): nQ X
11	BLH7621Y Prop, CCW Rotation, Yel (2): nQ X
	EFLC1008 1S USB Li-Po Charger, 350mA: nQ X
	EFLB1501S25 150mAh 1-Cell 3.7V 25c LiPo
	EFLH1064/B MLP4DSM 4CH Transmitter, 2.4GHz Mode 2
	EFLH10641 MLP4DSM 4CH Transmitter, 2.4GHz Mode 1

## Optional Parts

Part #	Description
EFLC1006	Celectra 1S 3.7v Variable Rate DC Li-Po Charger
	DX5e DSMX 5-Channel Transmitter Only
	DX6i DSMX 6-Channel Transmitter Only

Part #	Description
	DX7s DSMX 7-Channel Transmitter Only
	DX8 DSMX 8-Channel Transmitter Only
	DX18 DSMX 18-Channel Transmitter Only