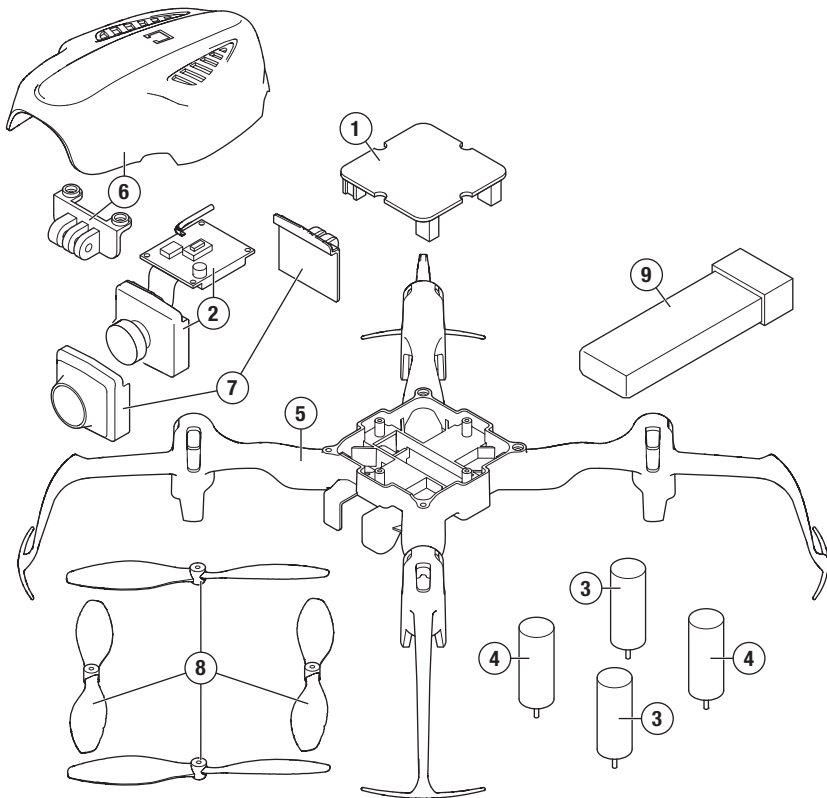


Exploded View



Parts Listings

Part #	Description	
1	BLH9103	4-in-1 Control Unit
2	BLH9011	Camera Board
3	BLH2204	Clockwise Motor
4	BLH2205	Counter-Clockwise Motor
5	BLH2207	Main Frame
6	BLH9101	Canopy Body

Part #	Description	
7	BLH9007	Camera Mount
8	BLH9102	Prop Set
9	EFLB5001S25UM	500mAh 1S 3.7V 25C LiPo, High Current UMX Connector
	EFLC1013	1S USB Li-Po Charger, 500mAh High Current UMX

Optional Parts

Part #	Description
SPMVR2500	Focal™ FPV Wireless Headset
SMVR1100	Teleporter V4 Video Headset with Head Tracking
	DXe DSMX Transmitter Only
	DX7s DSMX 7-Channel Transmitter Only
	DX6 DSMX 6-Channel Transmitter Only

Part #	Description
	DX7 DSMX 7-Channel Transmitter Only
	DX8 DSMX 8-Channel Transmitter Only
	DX9 DSMX 9-Channel Transmitter Only
	DX18 DSMX 18-Channel Transmitter Only